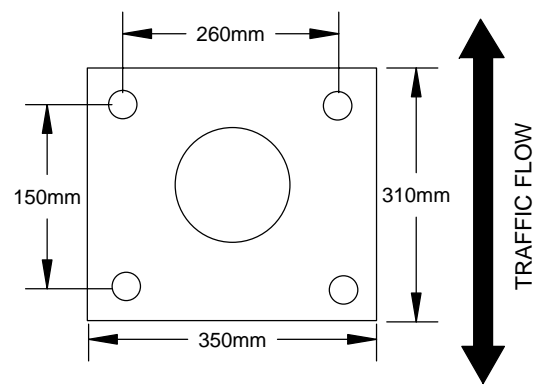



Barrier Fixing Measurements



Power requirements 230vac Single Phase 10A

| | | | | | | | |
|---|-----------|--------------|--------------|--|-------|--|--|
|  | | | | GP Automatic Barrier | | | |
| | | | | TITLE GP Automatic Barrier Dimension Including Base Dimensions | | | |
| SIZE | CAGE CODE | DWG NO | | REV | | | |
| A4 | | ICS-GP-FC-D1 | | C | | | |
| January 08 | | SCALE | Not to scale | sc | SHEET | | |

